



ATKINSON DYNAMICS

A FEDERAL SIGNAL COMPANY

ATKINSON DYNAMICS SPEAKERS

**INSTALLATION AND SERVICE INSTRUCTIONS FOR
MODELS**

AD-SF-25, AD-SS-25, AD-SO-25, AD-SV-25, AD-TB-25

Atkinson Dynamics
2645 Federal Signal Drive
University Park, IL 60484-3167
(708) 534-4756, (877) 289-3246
www.federsignal-indust.com

INSTALLATION AND SERVICE INSTRUCTIONS FOR ATKINSON DYNAMICS SPEAKERS

SAFETY MESSAGE TO INSTALLERS, USERS, AND MAINTENANCE PERSONNEL

It is important to follow all instructions shipped with this product. This device is intended to be installed by a trained electrician who is thoroughly familiar with the National Electrical Code and will follow NEC Guidelines as well as local codes.

The selection of the mounting location for the device, its controls, and the routing of the wiring are to be accomplished under the direction of the facilities engineer and the safety engineer. In addition, listed below are some other important safety instructions and precautions you should follow:

- This is not a listed safety device and is not intended to be used as such.
- Read and understand all instructions before installing or operating this equipment.
- Do not connect this unit to the system when power is on.
- All effective warning speakers produce loud sounds which may cause, in certain situations, permanent hearing loss. You should take appropriate precautions, such as wearing hearing protection.
- After installation, test the sound system to ensure proper operation.
- After testing is complete, provide a copy of these instructions to all operating personnel.
- Establish a procedure to routinely check the intercom installation for integrity and proper operation. Any maintenance must be performed by a trained electrician in accordance with NEC guidelines and local codes.

Failure to follow all safety precautions and instructions may result in property damage, serious injury, or death.

A. General Features.

The Atkinson Dynamics product line consists of a variety of speaker models. Model AD-SV-25 is a remote speaker station with volume control for use with “-8” intercom models. Models AD-SF-25, AD-SS-25, and AD-SO-25 are remote speakers for use with intercoms equipped with the “-M44” option. The volume control for these speakers is located on the intercom. Model AD-TB-25 is a 16-ohm heavy-duty speaker for use in public address or paging systems. All speaker models are rated for 25 watts.

	Model AD-TB-25 Model AD-SV-25 Model AD-SO-25	Model AD-SS-25	Model AD-SF-25
Frequency Response (Hz)	800-5,000		
Power Handling (watts)	25.0		
Shipping Weight (lb)	10.0	6.0	5.5

Table 1

B. Unpacking.

After unpacking the Atkinson Dynamics speaker, examine it for damage that may have occurred in transit. If the equipment has been damaged, do not attempt to install or operate it, and file a claim immediately with the carrier stating the extent of the damage. Carefully check all envelopes, shipping labels and tags before removing or destroying them.

C. Mounting.

CAUTION

The selection of the mounting location for the device, its controls, and the routing of the wiring are to be accomplished under the direction of the facilities and the safety engineer.

1. Model AD-SS-25.

Speaker Model AD-SS-25 is equipped with a serrated swivel mounting bracket with a locking nut that allows the speaker to be adjusted through an angle of 90 degrees. Figure 1 is a dimensional outline drawing. The speaker mounting bracket is intended to be mounted on any relatively flat and rigid surface. There are three mounting holes present in the base of the mount. Hardware for mounting the speaker shall be provided by the installer. Figure 2 shows the rear cover kit. The cover kit is equipped with a 3/8" NPT liquid-tight strain relief. This strain relief will accommodate cable diameters between 0.18" and 0.31". Securely attach the cover to the speaker using the provided fasteners.

2. Model AD-SF-25.

Speaker model AD-SF-25 is intended for flush mounting. Figure 3 is a dimensional outline drawing. There are six mounting holes approximately 0.22" in diameter in its outer flange. Install the speaker behind a 6-1/8" diameter hole. A small bead of silicone rtv around the outer flange is recommended when installing this unit into a NEMA 4x rated enclosure. Hardware for mounting the speaker shall be provided by the installer. Figure 2 shows the rear cover kit. The cover kit is equipped with a 3/8" NPT liquid-tight strain relief. This strain relief will accommodate cable diameters between 0.18" and 0.31". Securely attach the cover to the speaker using the provided fasteners.

3. Models AD-SO-25, AD-SV-25, and AD-TB-25.

WARNING

This unit is heavy and should be mounted on a rigid surface capable of supporting the weight of the speaker.

Speaker models AD-SO-25, AD-SV-25, and AD-TB-25 are intended to be mounted on any relatively flat and rigid surface by two mounting ears on the exterior of the housing. Figure 4 is a dimensional outline drawing showing the proper mounting configuration. The two mounting ears are 0.41" diameter holes that are spaced 5.68" apart. Hardware for mounting the speaker shall be provided by the installer.

D. Electrical Connections.

Audio wires should be sized properly by a licensed installation electrician for your specified application. Refer to the following instruction sheets for typical connections and additional wiring information: part no. 2561542 for panel mount intercoms and part no. 2561494 for wall mount intercoms.

E. SERVICE

1. General.

Atkinson Dynamics will service your equipment or provide technical assistance with any problems that cannot be handled locally.

Any units returned to Atkinson Dynamics for service, inspection, or repair must be accompanied by a Return Material Authorization. This R.M.A. can be obtained only from the factory by calling (708) 534-4756 or (877) 289-3246. Please give a brief explanation of the service requested or the nature of the malfunction.

Address all communications and shipments to:

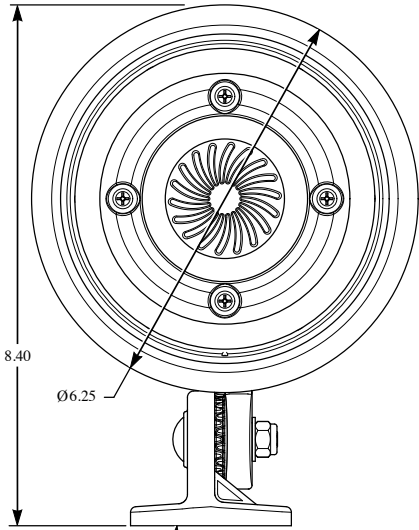
Atkinson Dynamics
2645 Federal Signal Drive
University Park, IL 60484-3167

2. Replacement Parts

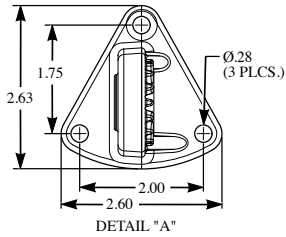
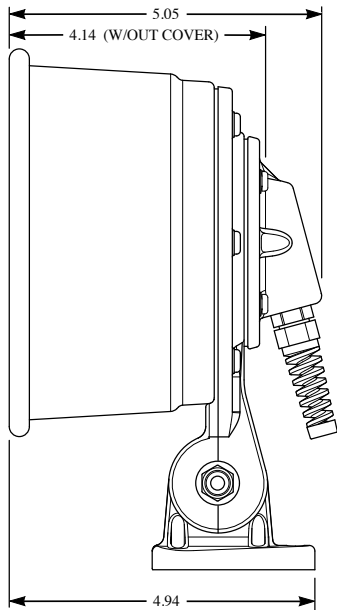
Description	Part Number
Potentiometer with on/off switch	K106125
Knob, volume control	K141A129

1

MODEL AD-SS-25



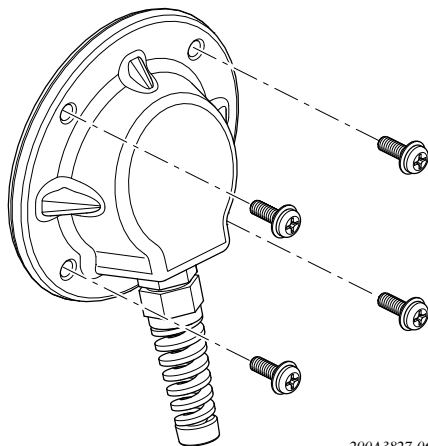
SEE DETAIL "A"



290A3827-01B

2

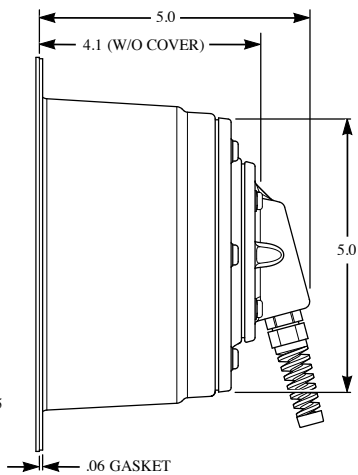
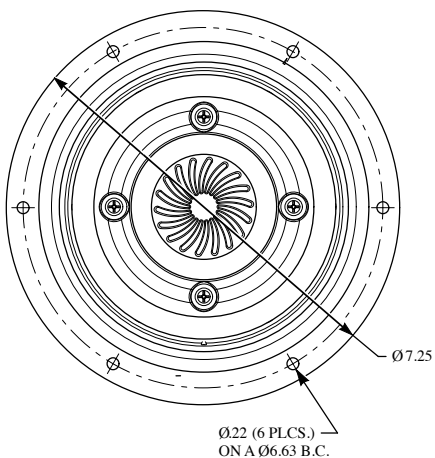
REAR COVER KIT
(MODELS AD-SF-25 & AD-SS-25)



290A3827-06

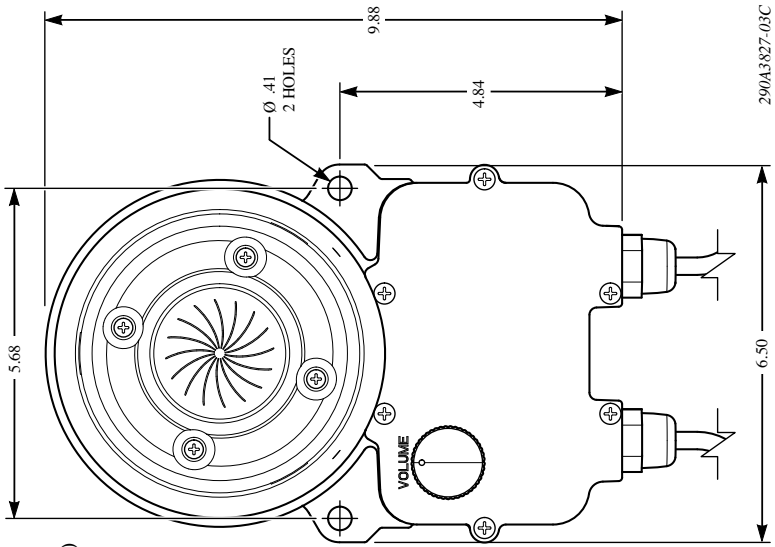
3

MODEL AD-SF-25

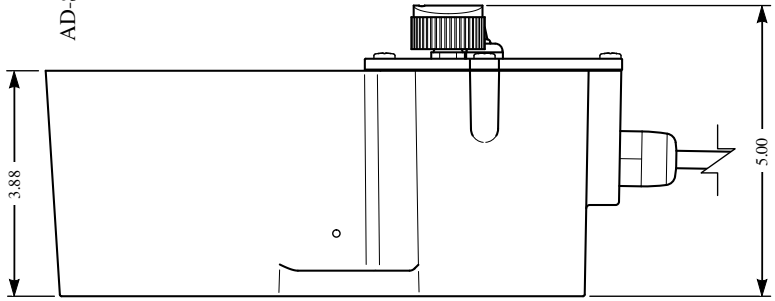


290A3827-02B

4



MODELS
AD-SO-25
AD-SV-25(SHOWN)
AD-TB-25





ATKINSON DYNAMICS

A FEDERAL SIGNAL COMPANY